

VC-MEMV-A3

Order No.: 1884348



<http://eshop.phoenixcontact.de/phoenix/treeViewClick.do?UID=1884348>

Panel mounting base, made of metal, EMC-coated type 3, number of modules 4, cable screw connection Pg21

Commercial data

EAN	4017918164379
Pack	5 Pcs.
Customs tariff	79070090
Weight/Piece	0.5173 KG
Catalog page information	Page 302 (PC-2007)

<http://www.download.phoenixcontact.com>
Please note that the data given here has been taken from the online catalog. For comprehensive information and data, please refer to the user documentation. The General Terms and Conditions of Use apply to Internet downloads.

Technical data

General characteristics

Note	When using fiber optics, the bending radii of the cable manufacturers must be observed.
Design	VC3
Degree of protection	IP65/IP66/IP67
Type of the screw connection	1x Pg21
Pg screw connection	None
Height	58 mm

Number of module slots	4
Housing material	Zinc die-cast
Housing surface material	Nickel-plated
Seal material	EPDM, conductive
Ambient temperature (operation)	-40 °C ... 125 °C

Certificates / Approvals

Approval logo

**requested approbations**

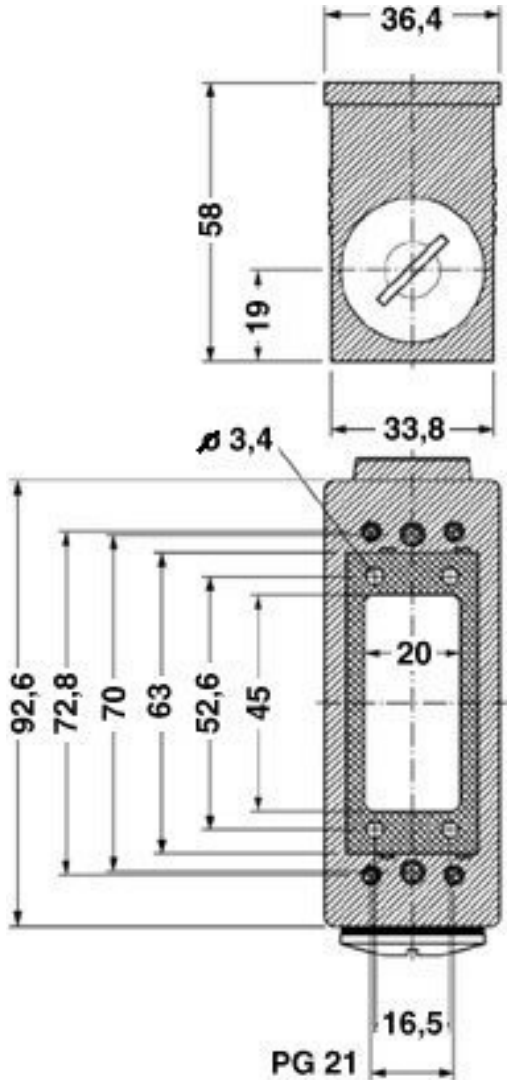
Certification	GOST
---------------	------

Accessories

Item	Designation	Description
Marking		
1852875	VC-BZS WH	Marker labels, unprinted, 5-section, for individual labeling with M-PEN or CMS system, white

Drawings

Dimensioned drawing



Address

PHOENIX CONTACT GmbH & Co. KG
Flachsmarktstr. 8
32825 Blomberg, Germany
Phone +49 5235 3 00
Fax +49 5235 3 41200
<http://www.phoenixcontact.de>



© 2008 Phoenix Contact
Technical modifications reserved;